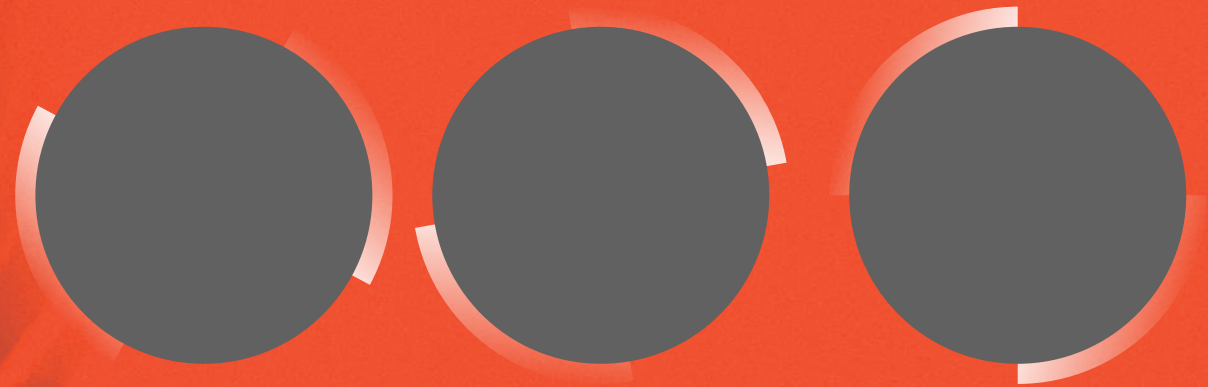


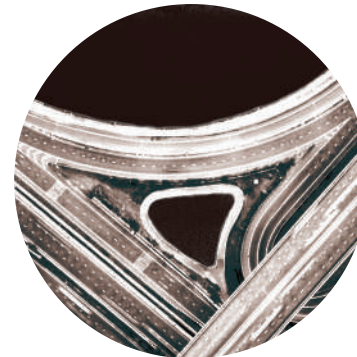
The logo for ThermTec, featuring the word "ThermTec" in a white, sans-serif font. The letter "T" is stylized with a horizontal bar at the top. The background of the entire slide is a vibrant orange-red color with a large, abstract, circular pattern on the left side that resembles a lens or a camera aperture, with concentric rings and some light reflections.

Thermography Products  
and Solutions



# Contents

Applications .....	<b>02</b>
Products and Solutions .....	<b>05</b>
Indexes .....	<b>13</b>





Fire Prevention



Smart Grid

# Applications



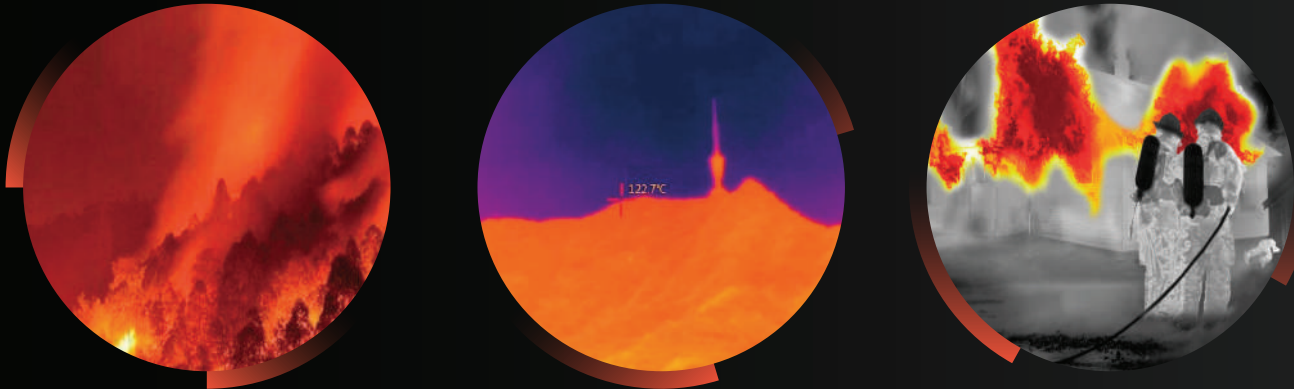
Intelligent Transportation



Industrial Inspection

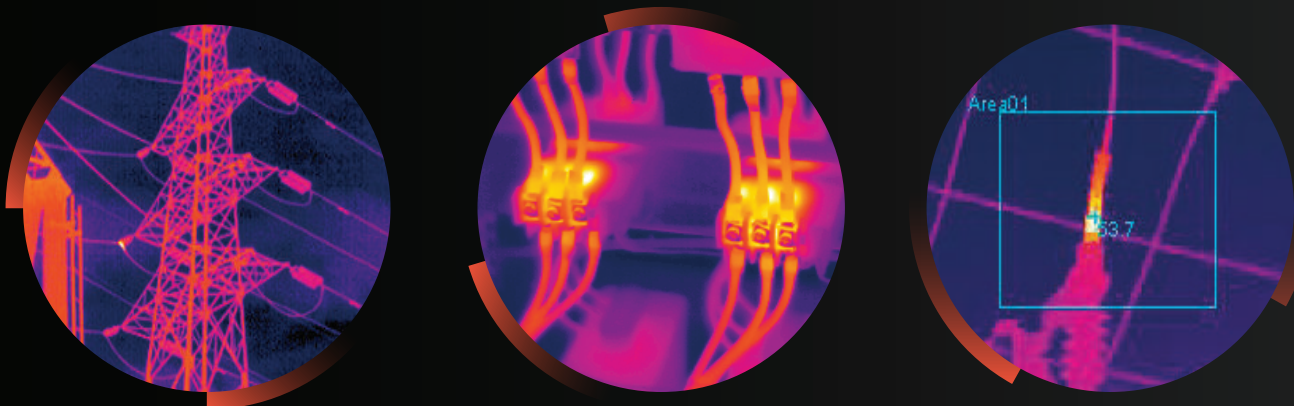
# Fire Prevention

ThermTec provides intelligent fire prevention solution with smart thermal and visible imaging system that operates 24/7, all weather for detecting any potential fire hazard. ThermTec's accurate alarm can help prevent the fire occurrence and allow timely response before fire spread.



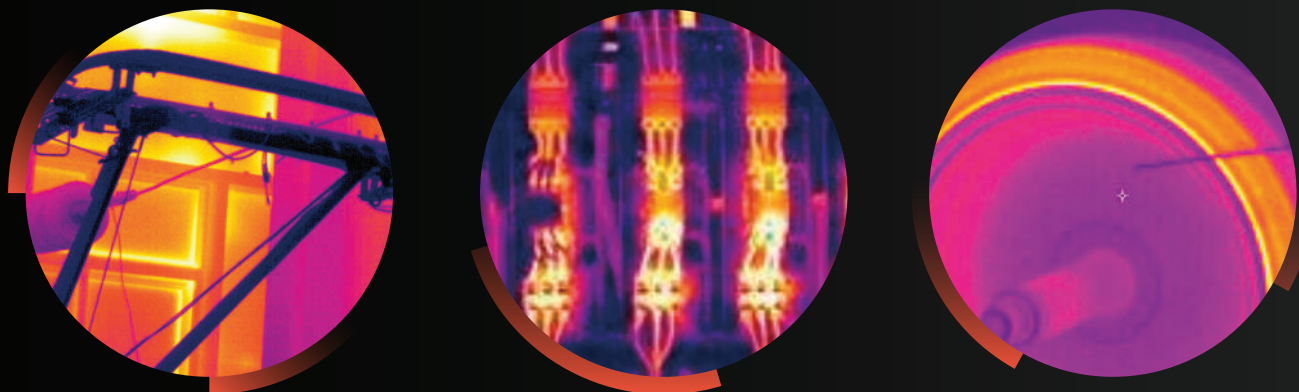
# Smart Grid

ThermTec adopts thermography technology in Smart Grid to monitor the operating status of the devices both indoors or outdoors, and determine trends where early detection of failure is possible, so as to enhance the reliability of electricity and power networks.



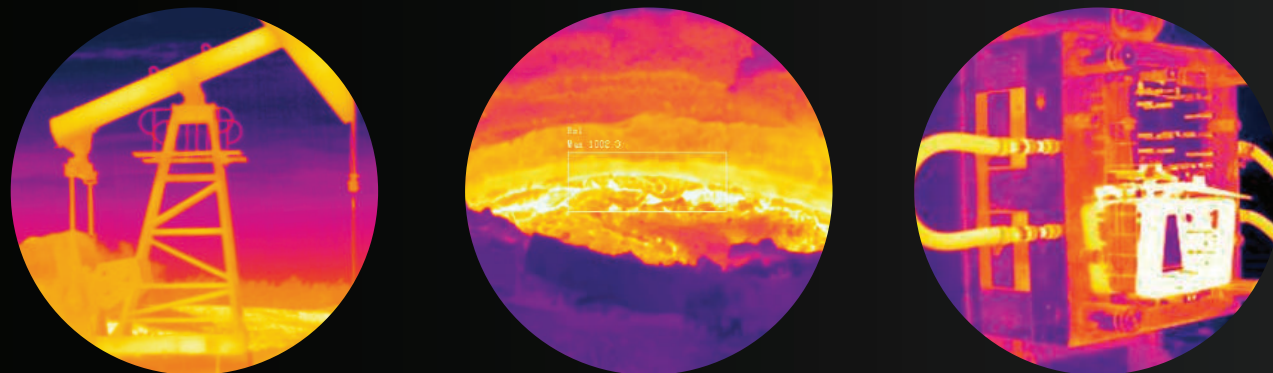
# Intelligent Transportation

ThermTec delivers intelligent public transportation solutions that monitor traffic flow and detect initial signs of failure for railway, subway and expressway system in time for protecting public safety.



# Industrial Inspection

Thermography technology is essential to the safety, quality, and cost-effectiveness of multiple applications within the industrial sector, which helps to map out the heat in facilities and materials, and monitor and control temperature precisely to detect the abnormal conditions in early stage.



# QG-T Series

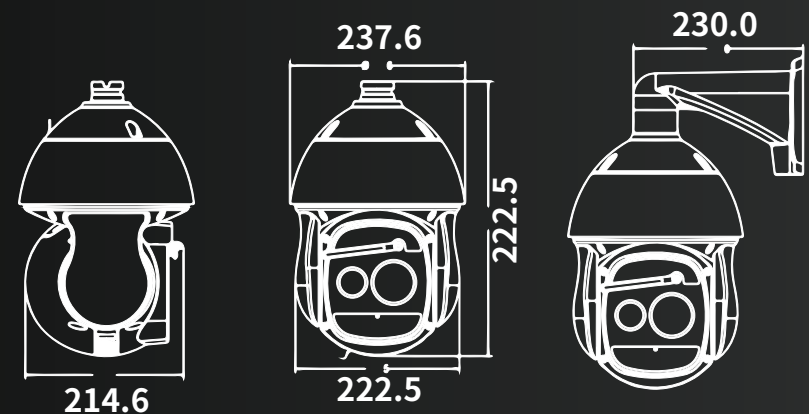
Dual Spectrum High Speed PTZ Camera



## Product Features

- High image quality: 12 $\mu$ m thermal sensor, 2MP 1/2.8" CMOS visible sensor;
- Excellent image enhancement: AGC, IDE;
- Protection grade: IP66;
- Superior environmental adaptability: Applicable for extreme weather, including darkness, rain, fog, smog and etc.;
- Continuous 360° rotation, wiper and IR range up to 50m;
- High accuracy temperature measurement range:  $\pm 2^{\circ}\text{C}$ .

## Dimension



# Specifications

Model	QG3-T		QG6-T					Model	QG3-T	QG6-T
<b>Thermal</b>										
Detector	VOx Uncooled FPA									
Resolution/Pixel pitch	384x288/17μm			640x480/17μm						
NETD	<50mK@ 25°C									
Spectral range	8-14μm									
Focus Method	Manual/Motorized(auto focus)									
Focal Length	6.6mm (QG3)	10mm	15mm	19mm	25mm	40mm	50mm			
FOV	QG3-T	52.6*40.7	37.5*28.6	24.5*18.5	19.4*14.6	14.8*11.1	9.3*7	7.4*5.6		
	QG6-T	/	59*46	39.8*30.4	31.9*24.2	24.5*18.5	15.8*11.6	12.4*9.3		
Image adjustment	Auto/Manual adjustment for contrast ratio & brightness & acutance									
Uniformity correction	Auto/Manual shutter correction									
<b>Optical Module</b>										
Image Sensor	1/1.8" Progressive Scan CMOS									
Resolution	2560(H)×1440(V)									
Focal Length&Zoom	6.5-240mm, 37X									
FOV	70.0-2.51(wide to narrow)									
IR Range	50m									
<b>Temperature measurement</b>										
Thermal image process	AGC, IDE,3DNR,HDR									
Color Palette	Optional 9 color palettes(rust, rainbow, white/black, etc.)									
Temperature Range	-20°C~+ 400°C									
Temperature Accuracy	± 5°C									
Temperature Measurement	Multiple temperature measurement rule types (points, areas, lines etc).									
<b>PTZ</b>										
Movement range	Pan:360° continuous; Tilt:-15°~+90°									
Presets	200									
Auto Horizontal Scan	Preset patrol / Auto line scanning & etc									
<b>Video and Audio</b>										
Video Compression	H.264 / H.265									
Main-Stream (Visible)	1920*1080,1280*960,1280*720									
Sub-stream (Visible)	1280*720,640*480,352*288									
Main-Stream (Thermal)	720*576			640*480						
Sub-stream (Thermal)	352*288			352*288						
Audio compression	G.711									
<b>Network</b>										
Protocols	TCP/IP,ICMP,HTTP,DHCP,DNS,RTP,RTSP,RTCP,IGMP,802.1X , ONVIF(Profiles)									
API	SDK, third-party management platform, ONVIF									
Common function	Hearbet, password protection, multi-user access control									
Security	Support password protection, bonding MAC ID, IP filtration									
Simultaneous Live View	10 channels									
User/Host level	Up to 10 users, 3 levels: Administrator, Operator, General									
<b>General</b>										
Alarm	1x ch input, 1x ch output									
Audio	1x ch input, 1x ch output									
Serial port	1x ch RS485									
Communication Interface	RJ45 10M/100M/1000M self-adaptive Ethernet									
Storage	Micro-SD(FT), up to 64GB									
Power Supply	AC 24V,3A									
Power Consumption	<36W									
Work Temperature/ Humidity	-20°C~+60°C (customized -40°C), <90%RH									
Storage temperature	-45°C ~ +75°C									
Protection	IP66									
Reliability	TVS 6000V lightning protection, surge protection, voltage transient protection									
Material	Aluminium alloy									
Dimension	Ø237.6mm*373mm									
Weight	<5Kg									

# CC-T Series

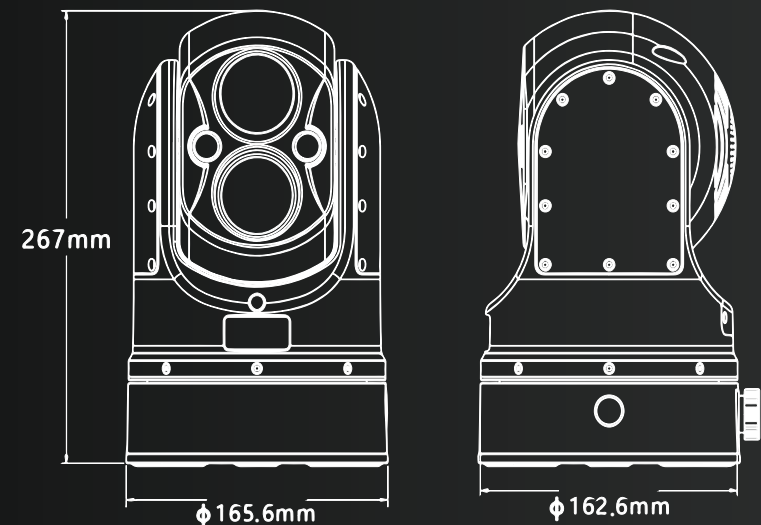
Dual Spectrum Thermometry Maritime PTZ Camera



## Product Features

- Built-in high sensitivity infrared thermal camera which can realize clear infrared images without any light. It is perfect for dark night voyage.
- High accuracy temperature measurement range:  $\pm 2^{\circ}\text{C}$ ;
- Design of the magnetic composite sucker, built-in large capacity battery, simple operation with the one-key deployment;
- Real-time WiFi data transmission;
- Compact design, lightweight PTZ.

## Dimension



# Specifications

Model	CC3-T		CC6-T			Model	CC3-T		CC6-T		
<b>Thermal</b>						<b>Video and Audio</b>					
Detector	VOx Uncooled FPA					Main-Stream (Thermal)	720*576		640*480		
Resolution/Pixel pitch	384x288/17µm		640x480/17µm			Sub-stream (Thermal)	352*288		352*288		
NETD	<50mK@ 25°C					Audio compression	G.711				
Spectral range	8-14µm					<b>Network</b>					
Focus Method	Manual/Motorized(auto focus)					Protocols	TCP/IP,ICMP,HTTP,DHCP,DNS,RTP,RTSP,RTCP,IGMP,802.1X , ONVIF(ProfileS)				
Focal Length	6.6mm (CC3-T)	10mm	15mm	19mm	25mm	API	API				
FOV	CC3-T	52.6*40.7	37.5*28.6	24.5*18.5	19.4*14.6	14.8*11.1	Common function	Common function			
	CC6-T	/	59*46	39.8*30.4	31.9*24.2	24.5*18.5	Security	Security			
Image adjustment	Auto/Manual adjustment for contrast ratio & brightness & acutance					Simultaneous Live View	Simultaneous Live View				
Uniformity correction	Auto/Manual shutter correction					User/Host level	User/Host level				
<b>Optical Module</b>						<b>General</b>					
Image Sensor	1/2.8" CMOS					Alarm	1x ch input, 1x ch output				
Resolution	0.001Lux/F1.5 (color), 0.0005Lux/F1.5 (b/w)					Audio	1x ch input, 1x ch output				
Focal Length&Zoom	1920x1080					Serial port	1x ch RS485				
FOV	5.1-127.5mm 25x optics					Communication Interface	RJ45 10M/100M/1000M self-adaptive Ethernet				
IR Range	30m					Storage	Micro-SD(FT), up to 64GB				
	PIP (within the visible video)					Power Supply	DC12V,3A				
Thermal image process	AGC, IDE,3DNR,HDR					Power Consumption	<30W				
Color Palette	Optional 9 color palettes(rust, rainbow, white/black, etc.)					Work Temperature/ Humidity	-20°C~+60°C, <90%RH				
<b>Temperature measurement</b>						Storage temperature	-45°C ~ +75°C				
Temperature Range	-20°C~+ 400°C					Protection	IP66				
Temperature Accuracy	± 2°C					Reliability	TVS 6000V lightning protection, surge protection, voltage transient protection				
Temperature Measurement	Multiple temperature measurement rule types (points, areas, lines etc).					Material	Aluminium alloy				
<b>PTZ</b>						Dimension	φ165.6mmx267mm				
Movement range	Pan:360° continuous; Tilt:-30°~+90°					Weight	<5Kg				
Presets	200					<b>Optional</b>					
Auto Horizontal Scan	Preset patrol / Auto line scanning & etc.					Battery	Built-in battery 120Wh(with 18650 model)				
<b>Video and Audio</b>						Wireless	WiFi module				
Video Compression	H.264 / H.265										
Main-Stream (Visible)	1920*1080,1280*960,1280*720										
Sub-stream (Visible)	1280*720,640*480,352*288										

# YS-T Series

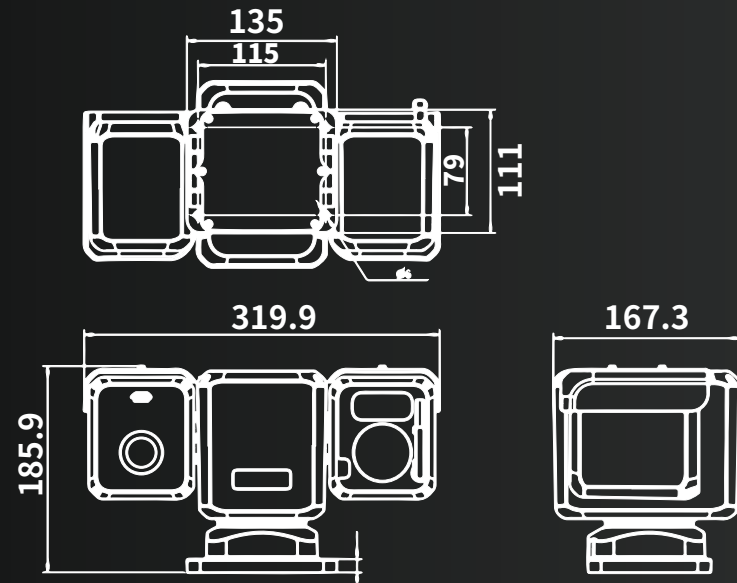
Mobile Dual Spectrum Thermometry  
Mini PTZ Camera



## Product Features

- More suitable for integration with robot, compact design;
- Superior environmental adaptability: Applicable for extreme weather, including darkness, rain, fog, smog and etc.;
- Multiple temperature measurements: Point, line and area range etc.;
- High accuracy temperature measurement range:  $\pm 2^{\circ}\text{C}$ ;
- Real-time video storage, Micro-SD up to 64GB;
- Low power consumption less than 20W;
- Support temperature measurement raw output.

## Dimension



# Specifications

Model	YS3-T		YS6-T			
<b>Thermal</b>						
Detector	VOx Uncooled FPA					
Resolution/Pixel pitch	384x288/17μm		640x480/17μm			
NETD	<50mK@ 25°C					
Spectral range	8-14μm					
Focus Method	Manual/Motorized(auto focus)					
Focal Length	6.6mm (QG3)	10mm	15mm	19mm	25mm	
FOV	QG3-T	52.6*40.7	37.5*28.6	24.5*18.5	19.4*14.6	14.8*11.1
	QG6-T	/	59*46	39.8*30.4	31.9*24.2	24.5*18.5
Image adjustment	Auto/Manual adjustment for contrast ratio & brightness & acutance					
Uniformity correction	Auto/Manual shutter correction					
<b>Optical Module</b>						
Image Sensor	1/1.8" Progressive Scan CMOS					
Resolution	1920(H)×1080(V)					
Focal Length&Zoom	5.1-127.5mm, 25X					
FOV	51.69-3.66(wide to narrow)					
IR Range	Without					
<b>Image Effect</b>						
Thermal image process	AGC, IDE,3DNR,HDR					
Temperature Accuracy	Optional 9 color palettes(rust, rainbow, white/black, etc.)					
<b>Temperature measurement</b>						
Temperature Range	-20°C~+ 400°C					
Temperature Accuracy	± 2°C					
Temperature Measurement	Multiple temperature measurement rule types (points, areas, lines etc).					
<b>PTZ</b>						
Movement range	Pan:360° continuous; Tilt:-90°~+90°					
Presets	200					
Auto Horizontal Scan	Preset patrol / Auto line scanning & etc					

Model	YS3-T		YS6-T	
<b>Video and Audio</b>				
Video Compression	H.264 / H.265			
Main-Stream (Visible)	1920*1080,1280*960,1280*720			
Sub-stream (Visible)	1280*720,640*480,352*288			
Main-Stream (Thermal)	720*576		640*480	
Sub-stream (Thermal)	352*288		352*288	
Audio compression	G.711			
<b>Network</b>				
Protocols	TCP/IP,ICMP,HTTP,DHCP,DNS,RTP,RTSP,RTCP,IGMP,802.1X, ONVIF(ProfileS)			
API	SDK, third-party management platform, ONVIF			
Common function	Hearbet, password protection, multi-user access control			
Security	Support password protection, bonding MAC ID, IP filtration			
Simultaneous Live View	10 channels			
User/Host level	Up to 10 users, 3 levels: Administrator, Operator, General			
<b>General</b>				
Alarm	1x ch input, 1x ch output			
Audio	1x ch input, 1x ch output			
Serial port	1x ch RS485			
Communication Interface	RJ45 10M/100M/1000M self-adaptive Ethernet			
Storage	Micro-SD(FT), up to 64GB			
Power Supply	DC9--36V,5A			
Power Consumption	<20W			
Work Temperature/ Humidity	-20°C~+60°C, <90%RH			
Storage temperature	-45°C ~ +75°C			
Protection	IP66			
Reliability	TVS 6000V lightning protection, surge protection, voltage transient protection			
Material	Aluminium alloy			
Dimension	168mm*320mm*186mm			
Weight	<5.5Kg			
<b>Optional</b>				
Wireless	WiFi module			

# Y-T Series

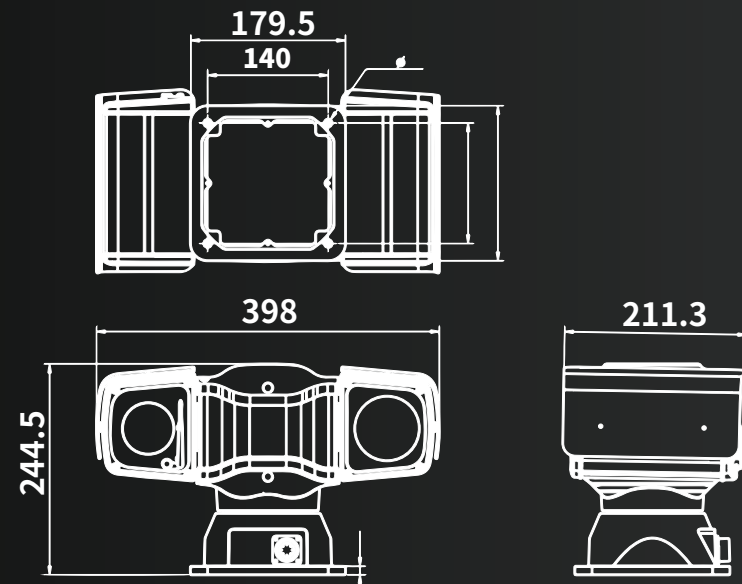
Mobile Dual Spectrum Thermometry  
PTZ Camera



## Product Features

- Excellent image enhancement: AGC, HDR, 3DNR, IDE;
- Multiple temperature measurements: Point, line and area range etc.;
- High accuracy temperature measurement range:  $\pm 2$  °C;
- Real-time video storage, Micro-SD up to 64GB;
- Support temperature measurement raw output;
- Integrated with shock absorber for vehicle-mounted.

## Dimension

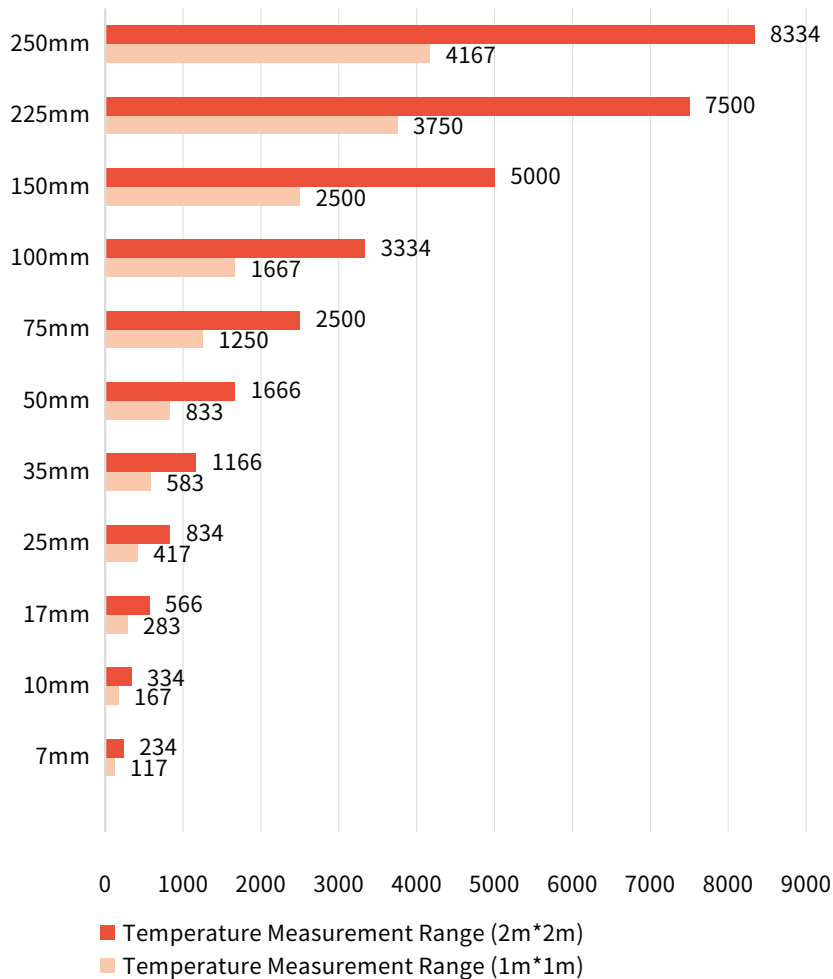


# Specifications

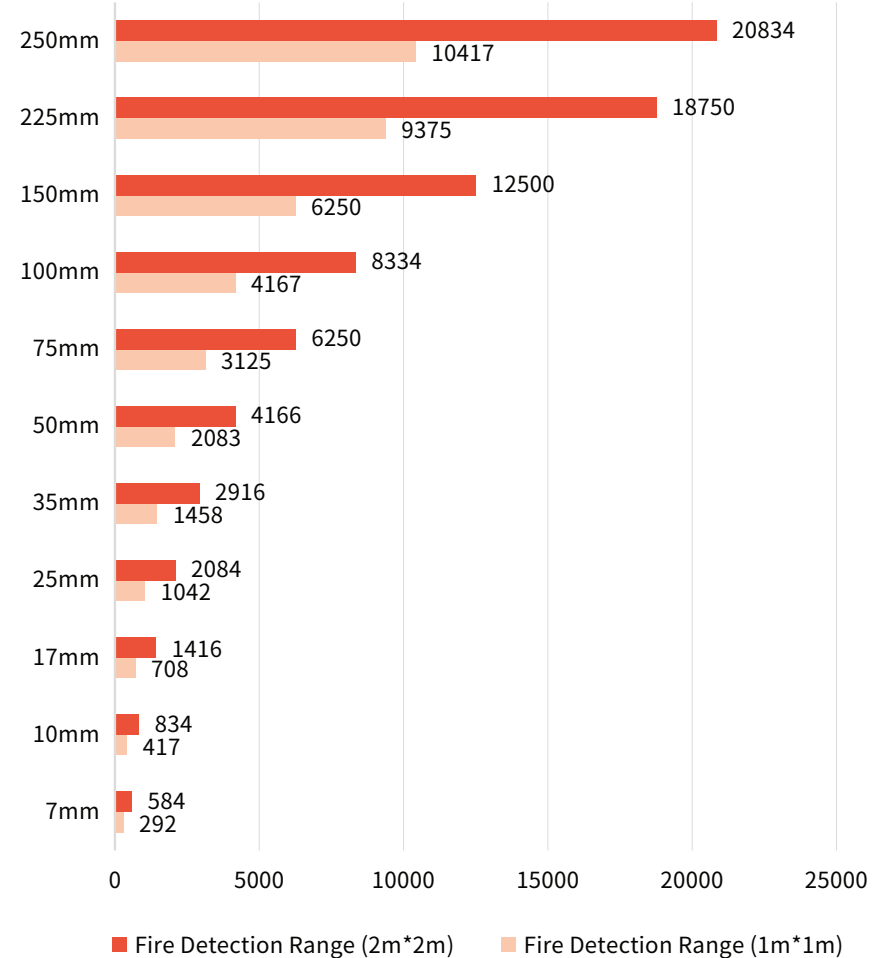
Model	Y3-T		Y6-T	Model	Y3-T		Y6-T	
<b>Thermal</b>				<b>Video and Audio</b>				
Detector	VOx Uncooled FPA			Video Compression	H.264 / H.265			
Resolution/Pixel pitch	384x288/17μm	640x480/17μm		Main-Stream (Visible)	1920*1080,1280*960,1280*720			
NETD	<50mK@ 25°C			Sub-stream (Visible)	1280*720,640*480,352*288			
Spectral range	8-14μm			Main-Stream (Thermal)	720*576	640*480		
Focus Method	Manual/Motorized(auto focus)			Sub-stream (Thermal)	352*288	352*288		
Focal Length	25mm	40mm	50mm	Audio compression	G.711			
FOV	QG3-T	14.8*11.1	9.3*7	7.4*5.6	<b>Network</b>			
	QG6-T	24.5*18.5	15.8*11.6	12.4*9.3	Protocols	TCP/IP,ICMP,HTTP,DHCP,DNS,RTP,RTSP,RTCP,IGMP,802.1X , ONVIF(Profiles)		
Image adjustment	Auto/Manual adjustment for contrast ratio & brightness & acutance			API	SDK, third-party management platform, ONVIF			
Uniformity correction	Auto/Manual shutter correction			Common function	Hearbet, password protection, multi-user access control			
<b>Optical Module</b>				Security	Support password protection, bonding MAC ID, IP filtration			
Image Sensor	1/1.8" Progressive Scan CMOS			Simultaneous Live View	10 channels			
Resolution	1920(H)×1080(V)			User/Host level	Up to 10 users, 3 levels: Administrator, Operator, General			
Focal Length&Zoom	5.1-127.5mm, 25X			<b>General</b>				
FOV	51.69-3.66(wide to narrow)			Alarm	1x ch input, 1x ch output			
IR Range	Without			Audio	1x ch input, 1x ch output			
<b>Image Effect</b>				Serial port	1x ch RS485			
Thermal image process	AGC, IDE,3DNR,HDR			Communication Interface	RJ45 10M/100M/1000M self-adaptive Ethernet			
Temperature Accuracy	Optional 9 color palettes(rust, rainbow, white/black, etc.)			Storage	Micro-SD(FT), up to 64GB			
<b>Temperature measurement</b>				Power Supply	DC12V,3A			
Temperature Range	-20°C~+ 400°C			Power Consumption	<30W			
Temperature Accuracy	± 2°C			Work Temperature/ Humidity	-20°C~+60°C, <90%RH			
Temperature Measurement	Multiple temperature measurement rule types (points, areas, lines etc).			Storage temperature	-45°C ~ +75°C			
<b>PTZ</b>				Protection	IP66			
Movement range	Pan:360° continuous; Tilt:-90°~+90°			Reliability	TVS 6000V lightning protection, surge protection, voltage transient protection			
Presets	200			Material	Aluminium alloy			
Auto Horizontal Scan	Preset patrol / Auto line scanning & etc			Dimension	212mm*398mm*245mm			
				Weight	<7Kg			

# Smart Functions Range

## Temperature Measurement Range (unit: m)



## Fire Detection Range (unit: m)



Notes: The table is for reference only, and the performance may vary according to different environment.

# Lens Indexes for 17 $\mu$ m Detector

## Athermalized Lens

Focal Length (mm)	Effective Measuring Distance (m)
-------------------	----------------------------------

6.6mm	1m - 5.0m
-------	-----------

10mm	2.0m - 9.0m
------	-------------

15mm	2.0m - 13.0m
------	--------------

19mm	2.0m - 16.0m
------	--------------

25mm	2.0m - 24.0m
------	--------------

15mm	2.0m - 15.0m
------	--------------

## Motorized Lens

Focal Length (mm)	Effective Measuring Distance (m)
-------------------	----------------------------------

25mm	2.0m - 25.0m
------	--------------

35mm	2.0m - 35.0m
------	--------------

50mm	2.0m - 40.0m
------	--------------

15mm	2.0m - 15.0m
------	--------------

25mm	2.0m - 25.0m
------	--------------

35mm	2.0m - 35.0m
------	--------------

50mm	2.0m - 40.0m
------	--------------

50mm	2.0m - 40.0m
------	--------------

Notes: The table is for reference only, and the performance may vary according to different environment.

# ThermTec



Scan this QR code  
to follow our website

ThermTec Technology Co., Ltd.  
Email: [info@thermeyetec.com](mailto:info@thermeyetec.com)  
Website: <https://www.thermeyetec.com/>